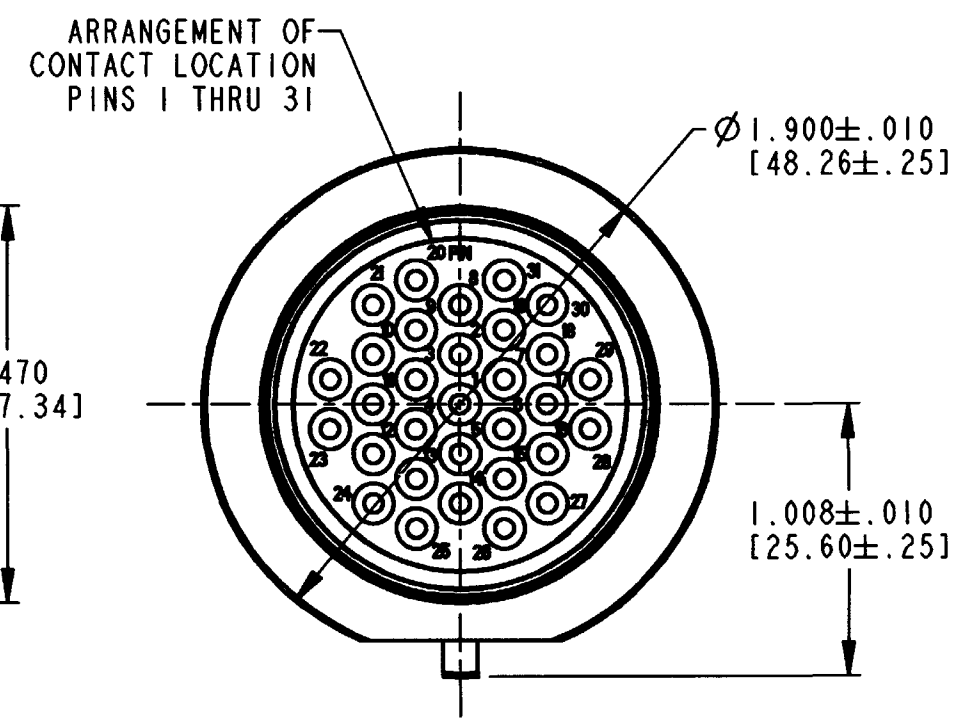
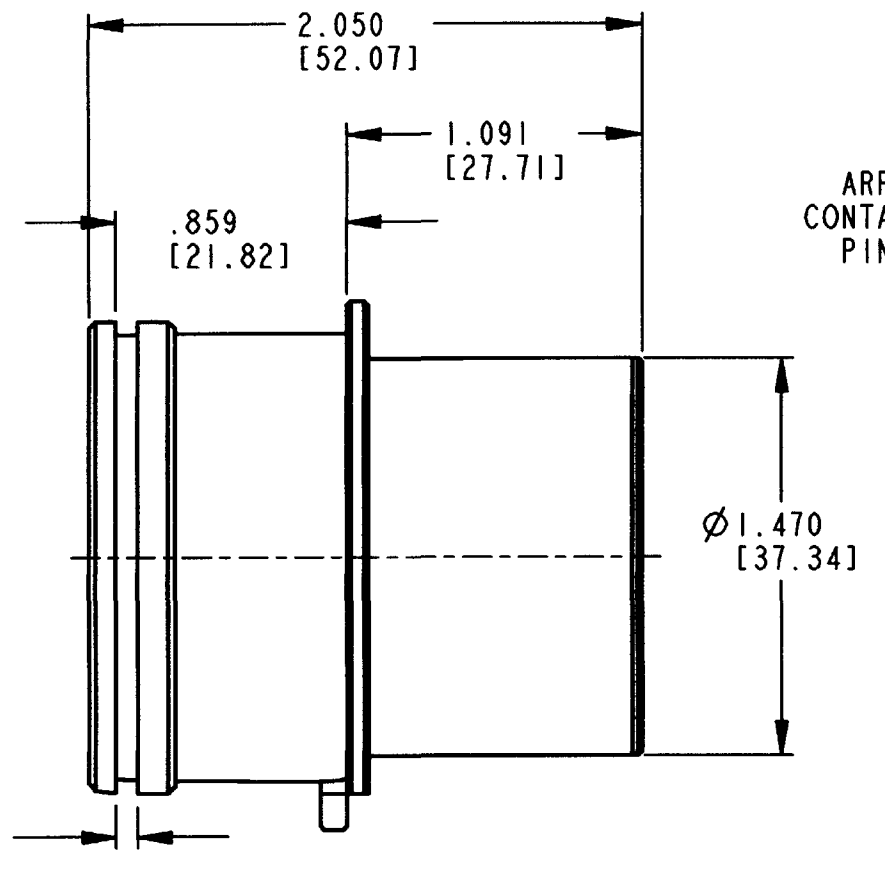
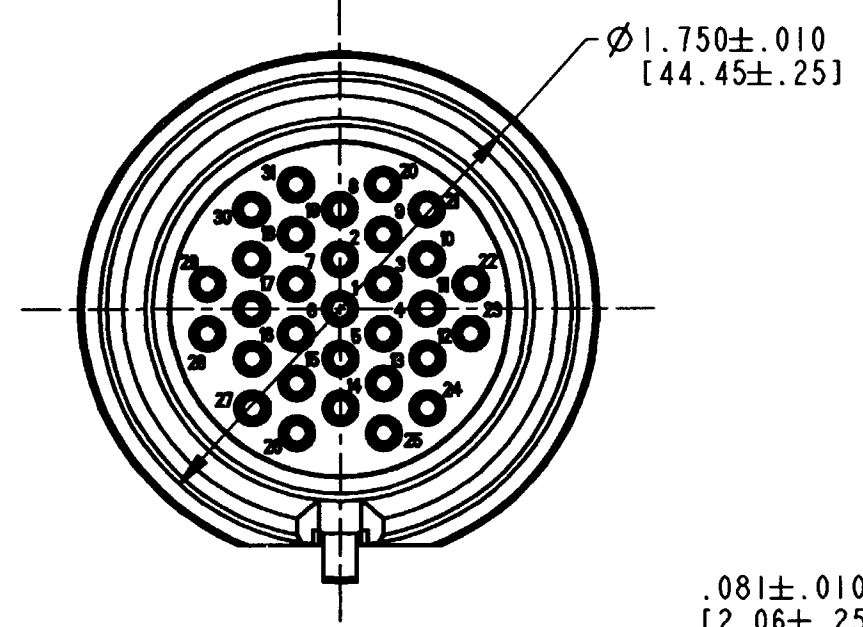
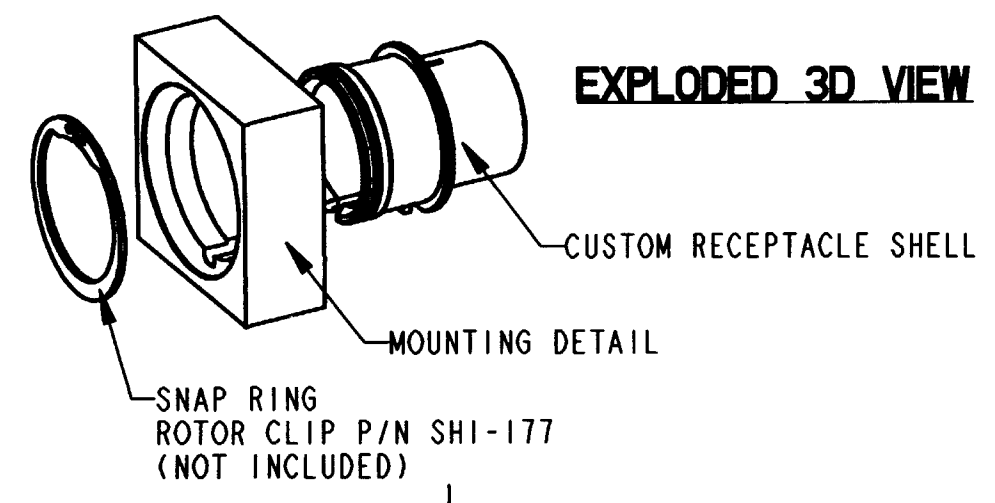


REV  
A **HD34-24-31P\*B019**

REVISIONS			
SYM	DESCRIPTION	DATE	APPROVED
NC	NEW RELEASE PER E.O. P18345	10/3/03	R.D.R.
A	REVISED PER E.O. P18393	11-24-03	RDR



6. .050 REF [1.28] NOMINAL CONNECTOR FLOAT BETWEEN SNAP RING AND SIDE OF MOUNTING.
5. THIS PART MATES WITH HD36-24-31S\*-B019 (\* INDICATES WIRE SEAL TYPE)
4. FOR CONTACTS, WIRE PERFORMANCE AND APPLICATION CHARACTERISTICS SEE ENVELOPE DWG. 0425-015-0000.
3. FOR PERFORMANCE AND APPLICATION CHARACTERISTICS SEE ENVELOPE DWG 0425-016-0000. MOUNTING APPLICATION NOT APPLICABLE TO HD34-24-31P\*-B019. REFER TO SHEET -2- OF THIS DRAWING FOR CUSTOM MOUNTING APPLICATION.
2. ALL DIMENSIONS ARE  $\pm .025$  [ $\pm 0.64$ ] EXCLUDING RUBBER UNLESS OTHERWISE SPECIFIED.
1. ALL DIMENSIONS ARE INCHES [MILLIMETERS].
- NOTES:

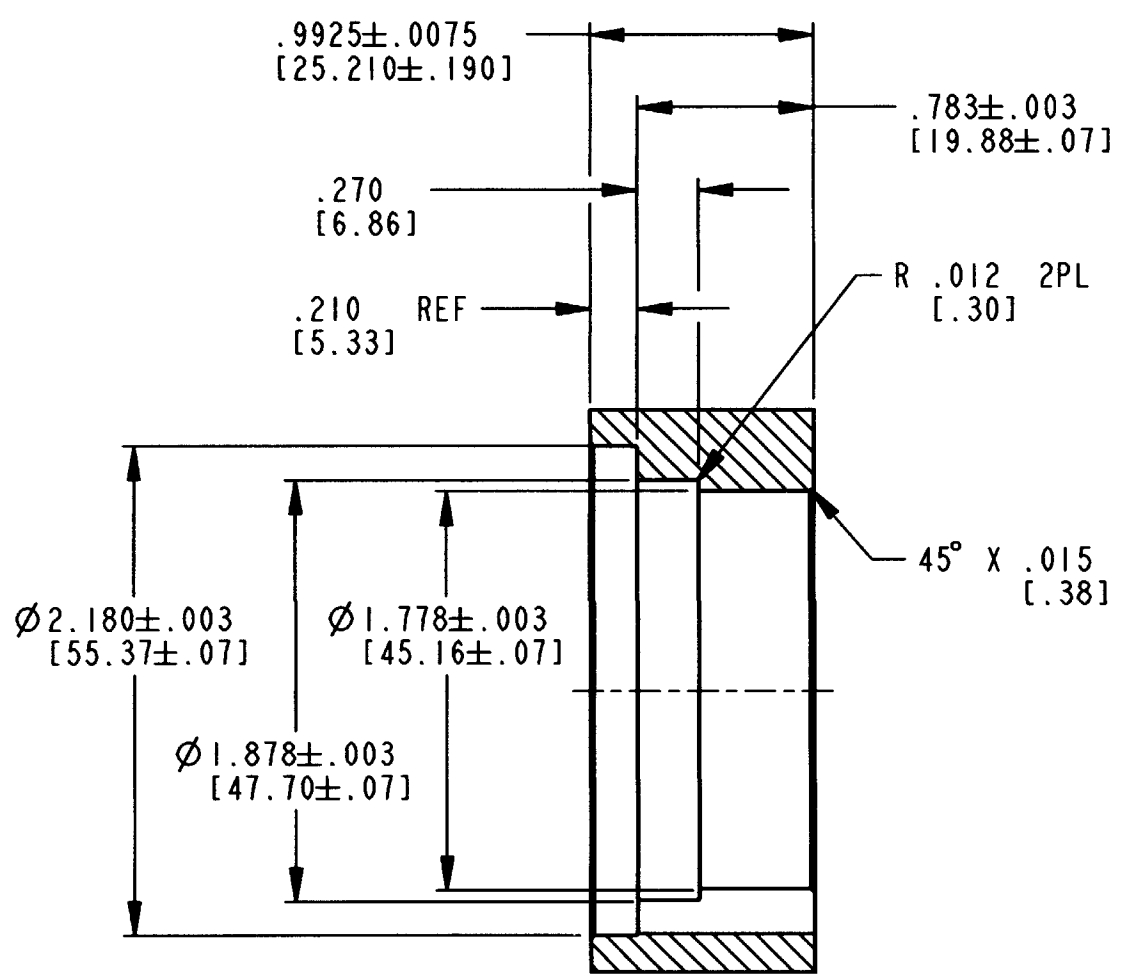
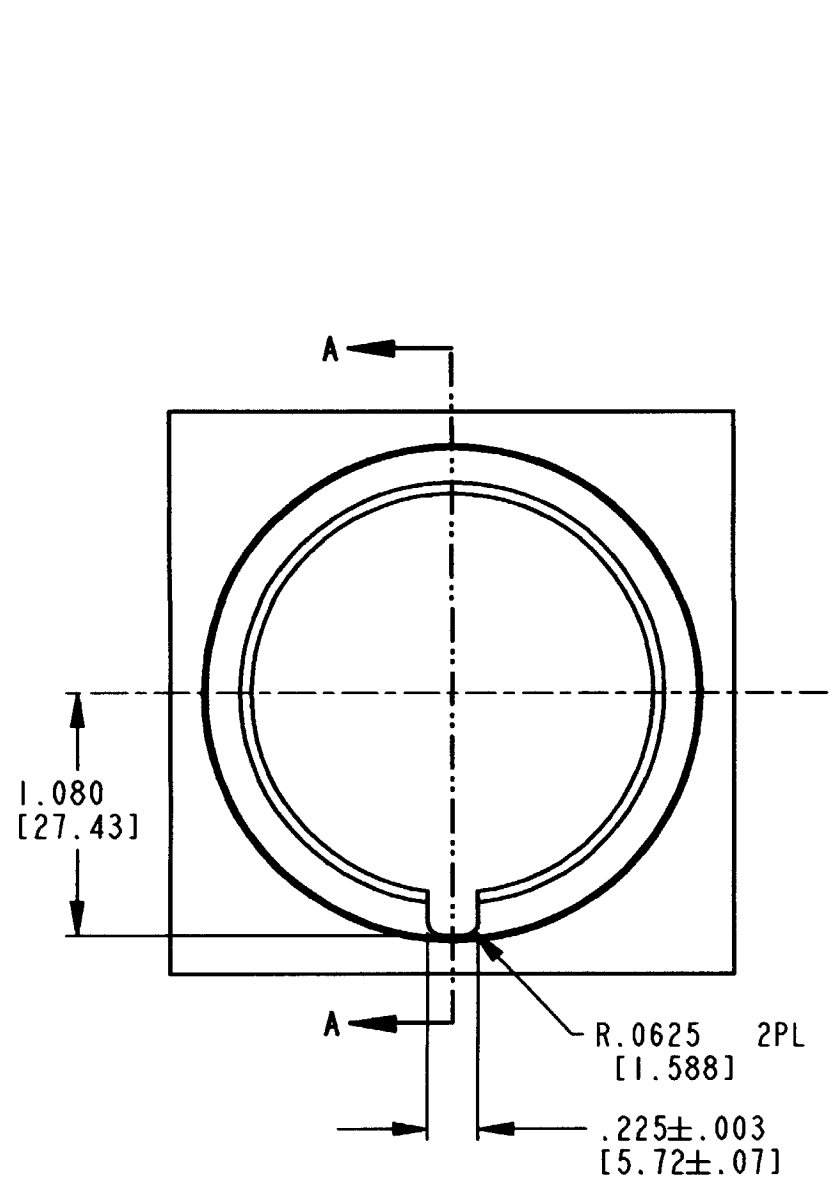
SIGNATURE & DATE	
DR	A. ROLINSKI 10/01/03
CHK	P. Byford 11/17/03
PE	A. Rolinski 11/14/03
APPD	S. Card 11-14-03
SCALE	NONE WT

**31 WAY CUSTOM MOUNT RECEPTACLE CONNECTOR SHELL SIZE 24 HD30 SERIES**

ENVELOPE

MATERIAL CODE	
CP	<b>The Deutsch Company</b> DEUTSCH I.P.D. 3850 INDUSTRIAL AVE. HEMET, CALIF. 92545
<b>B</b>	<b>HD34-24-31P*-B019</b>
DWG SIZE	CODE 11139 SHEET 1 OF 2

REV A	HD34-24-31P*-B019	REVISIONS			
		SYM	DESCRIPTION	DATE	APPROVED
		A	SEE SHEET 1	11-24-03	RDR



**MOUNTING DETAIL FOR RECEPTACLE**  
 ALL DIMENSIONS ARE ±.005  
 UNLESS OTHERWISE SPECIFIED

NOTES: SEE NOTES ON SHEET -1-

SIGNATURE & DATE	
DR	A. ROLINSKI 10/01/03
CHK	B. [Signature] 11/14/03
PE	[Signature] 11/14/03
APPD	[Signature] 11-14-03
SCALE	NONE
WT	

31 WAY CUSTOM MOUNT  
 RECEPTACLE CONNECTOR  
 SHELL SIZE 24  
 HD30 SERIES

ENVELOPE

CP	MATL. CODE
<b>The Deutsch Company</b> DEUTSCH I.P.D. 3850 INDUSTRIAL AVE. HEMET, CALIF. 92545	
<b>B</b>	<b>HD34-24-31P*-B019</b>
DWG SIZE	CODE 11139 SHEET 2 OF 2